

SECURED BY

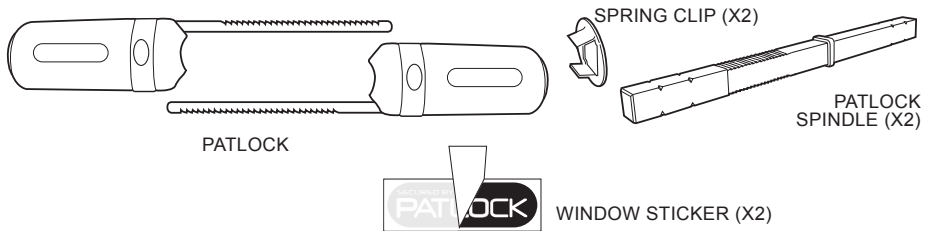
PATLOCK™

Thank you for purchasing a PATLOCK home security French Door lock.
Please take time to read all instructions carefully before fitting.

IMPORTANT

Your PATLOCK is a simple to use everyday additional lock for French Doors; however we recommend that you use the services of a locksmith for the initial fit of the PATLOCK spindles, unless you are confident that the instructions provided below can be followed successfully.

The components within the pack are;

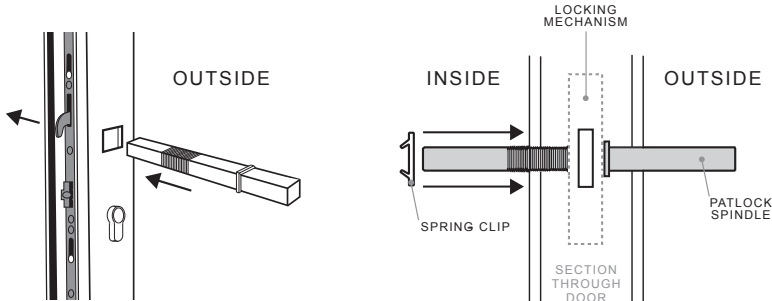


How to fit your new PATLOCK Spindles

IMPORTANT

When fitting DO NOT push the spring clip onto the PATLOCK spindle until you have checked that they are the correct length for your doors and the handles fit correctly. The PATLOCK spindle length will fit most doors, but if they are too long cut to the correct length before fitting.

Remove the door handles from your French Doors and slide out the original spindle. Insert the new PATLOCK spindle from the outside, so the grooved section is pushed through the door and visible from the inside.



Hold the PATLOCK spindle firmly from the outside and push the spring clip onto the PATLOCK spindle from the inside of the door ensuring that the clip engages with the grooved section to secure in position.

Fit the handles and your PATLOCK is ready to use.

SECURED BY

PATLOCK™

FITTING INSTRUCTIONS

How to open your PATLOCK

Press the release buttons simultaneously on both sleeves and pull apart.
Release buttons are located to the front and back of both sleeves.



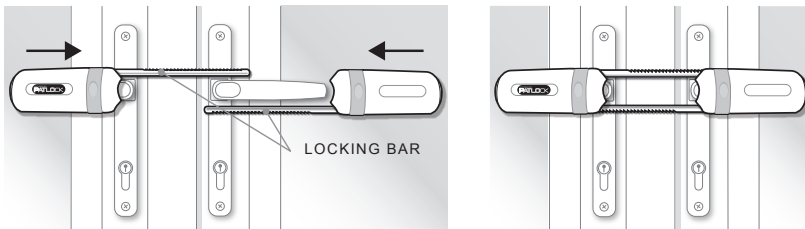
How to fit your PATLOCK

With the black and yellow PATLOCK logo visible from the outside, slide one sleeve over each INTERIOR handle.

Push the sleeves together ensuring the locking bars are engaged into the locking chamber on the opposite sleeve.

The ratchet mechanism will hold your PATLOCK securely in position.

For larger handles the rubber insert will need removing from each sleeve.



How to remove your PATLOCK

Please follow instructions "How to open your PATLOCK" at the top of the page.

View a short video on our website by visiting www.patlock.co.uk

Caring for your PATLOCK

To clean your PATLOCK we advise that you wipe with a damp cloth and mild detergent.

PATLOCK is a security product and the **ULTIMATE DETERRENT** to burglars.

It is to be used as an additional security device for French Doors and **NOT** as a replacement for existing locks.

BE SECURE. USE ALL LOCKS ON YOUR DOORS.

Patlock Ltd, BD17 7AD. www.patlock.co.uk

PATLOCK accepts no responsibility for any incorrect fitting or damage to your property due to criminal activity.